

20/21
PRODUCTS

Product Catalogue

Slot Linear Diffuser

Type (SLD)



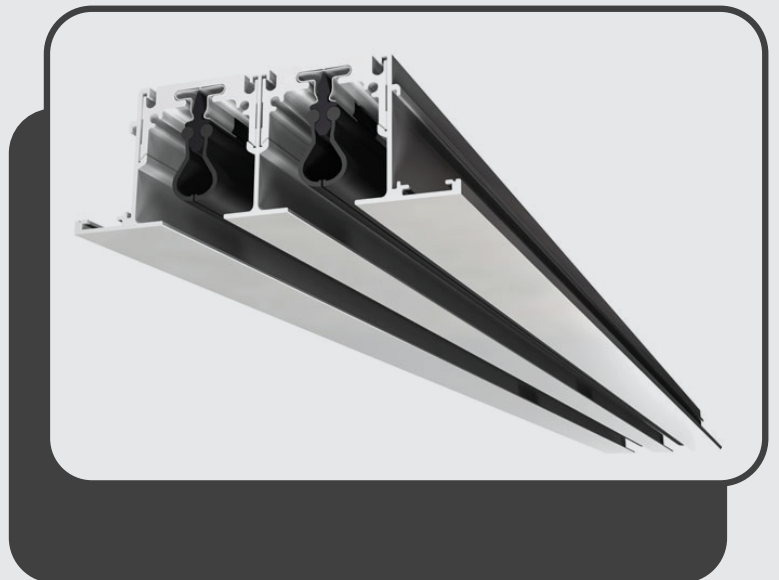
Khedr Trust
ALL AIR PRODUCTS

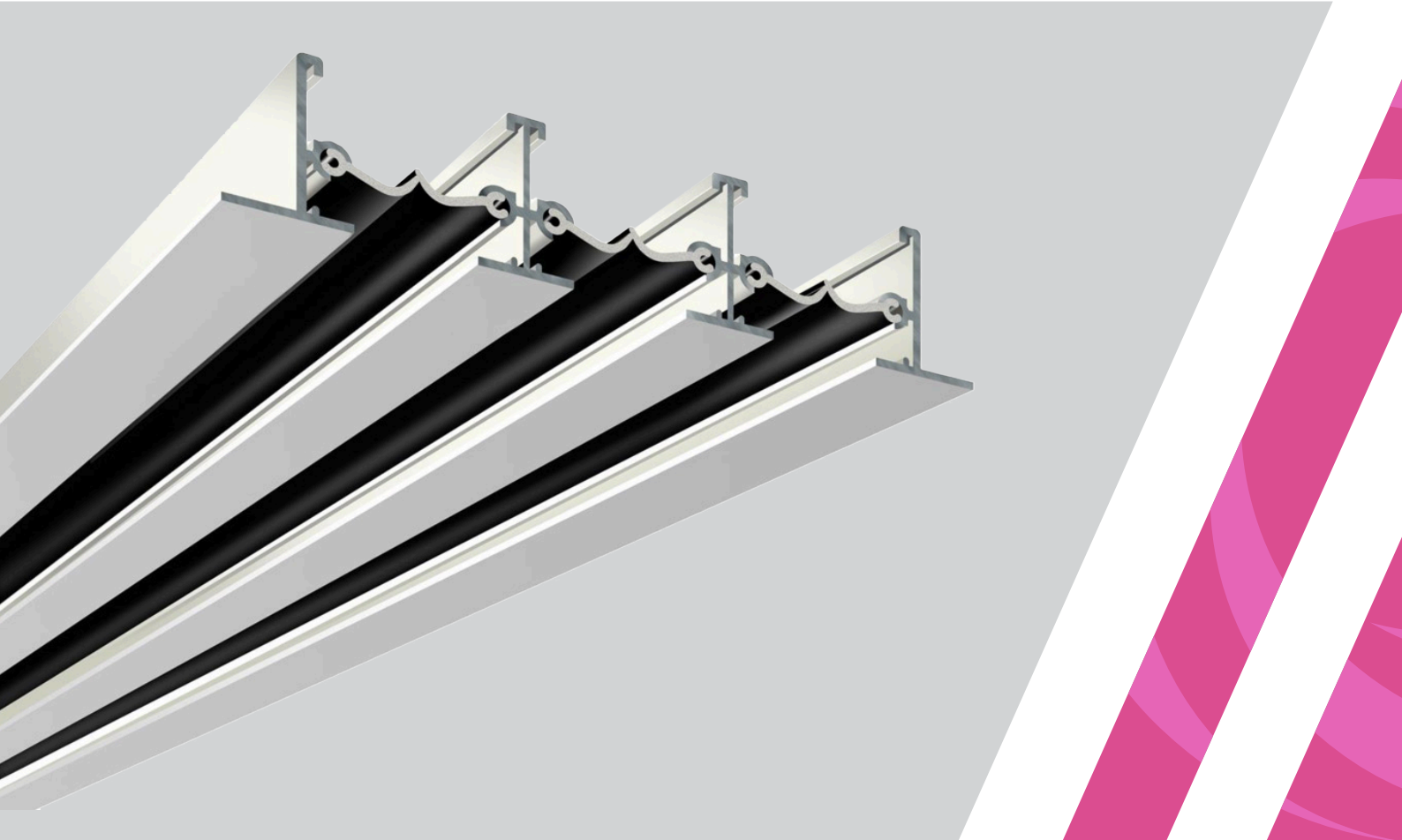
Slot Linear Diffuser products are
manufactured by



“ Your comfort is
our priority ”

www.khedr-eg.com





Models

- SLD
- SLD-PB "With Plenum Box"



Finish

- Standard Finish - White



Features

- One to Eight slots wide for air volumes of 10 to 250 CFM / Feet.
- Slot Size 3/4 " Slot .
- Optional Built-in plenum box .
- One-Piece Length up to 8 feet.
- 180 Adjustable deflectors.



Slot Linear Diffuser

Model Design

Khedr Model SLD Diffusers are designed for Ceiling & Sidewall .

Air Pattern

Air Pattern directional changes through 180 by adjustable deflectors.

Splice Plates

Keyways and splice plates facilitate hairline butting of sections to form continuous length.

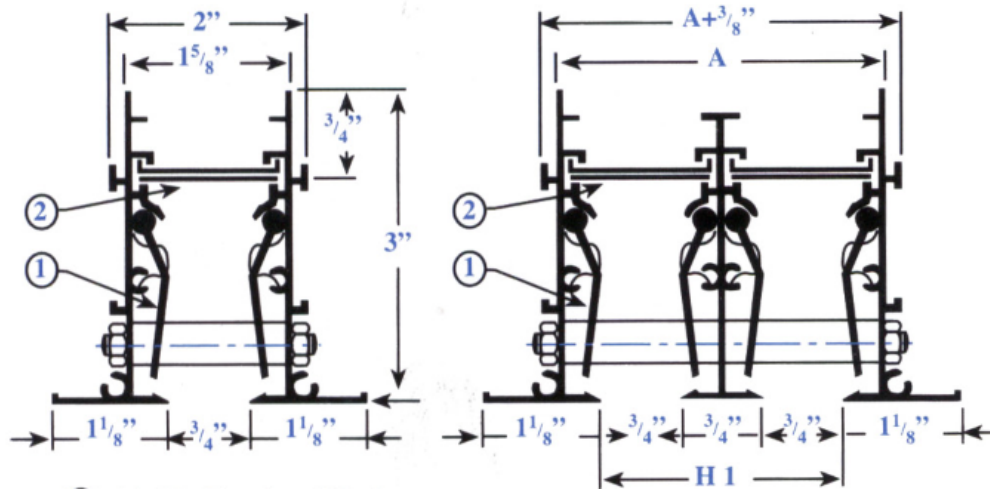
dampers Position

Volume dampers are positioned in each slot and are accessible through the slot opening.

- Dimensions

	No. Of Slots							
	1	2	3	4	5	6	7	8
A "Inch"	15\8"	3 3\16"	4 3\4"	6 5\16"	7 7\8"	9 7\16"	11"	12 9\16"
H1 "Inch"	3\4"	2 1\4"	3 3\4"	5 1\4"	6 3\4"	8 1\4"	9 3\4"	11 1\4"

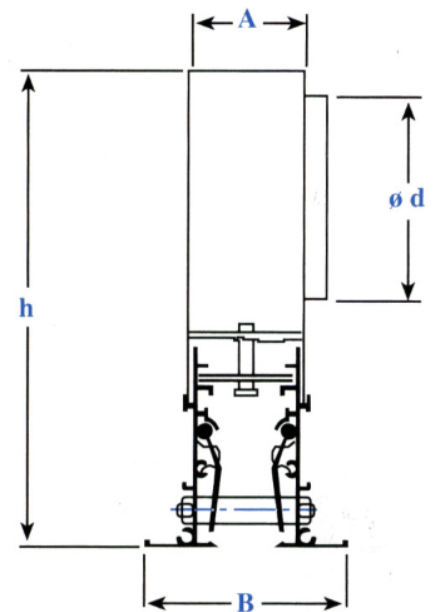
Slot Linear Diffuser products are manufactured by Khedr Trust Co.



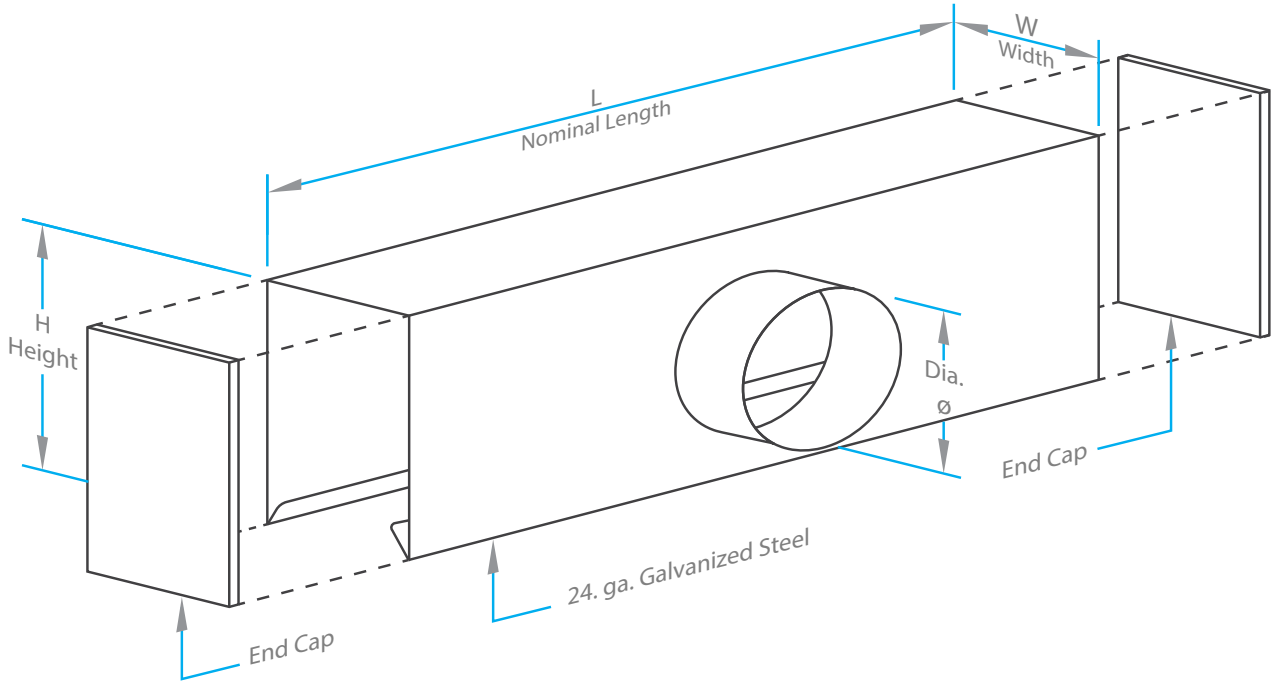
- Dimensions - With optional Plenum Box

No. Of Slots	Length "Feet"							A	B
	4		6		8				
	ød	h	ød	h	ød	h			
1	5	12	6	12	8	12	15\8"	3"	
2	6	12	8	12	10	14	3 3\16"	4 1\2"	
3	8	12	10	14	10	16	4 3\4"	6"	
4	10	14	10	16	12	20	6 5\16"	7 1\2"	
5	10	14	12	20	16	20	7 7\8"	9"	
6	12	20	16	20	16	20	9 7\16"	10 1\2"	
7	12	20	16	20	16	20	11"	12"	
8	14	20	16	20	18	22	12 9\16"	13 1\2"	

Slot Linear Diffuser products are manufactured by Khedr Trust Co.



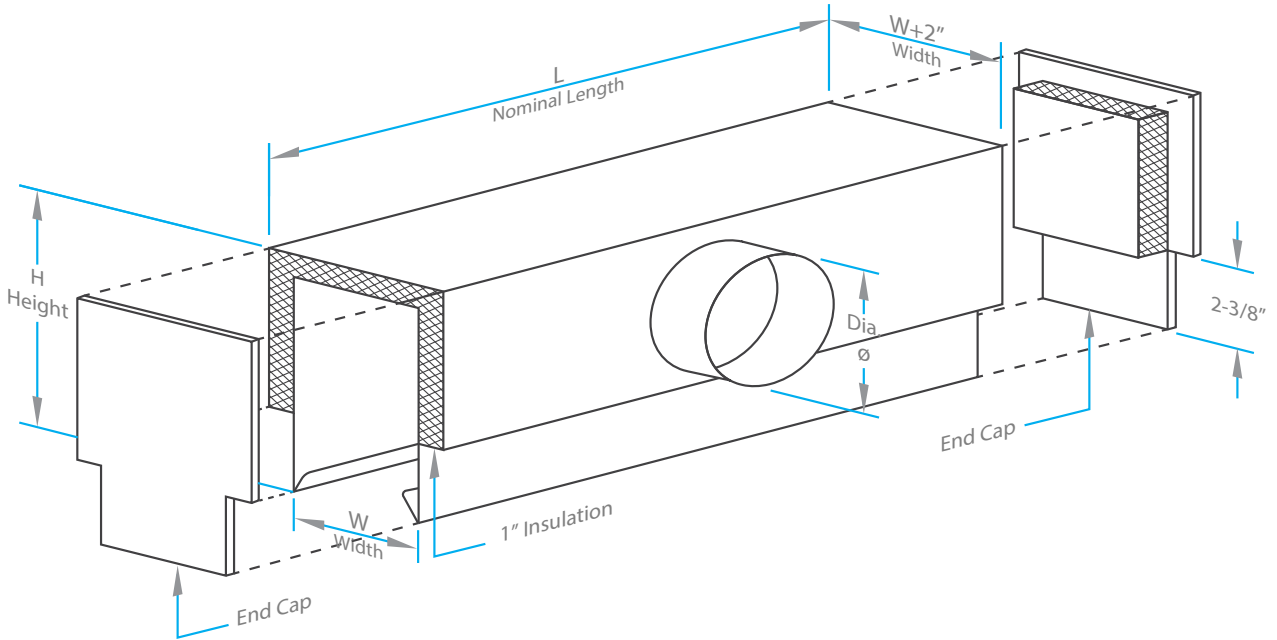
Type (PB-S) – Slot Uninsulated Plenum Box



No. of Slots	1	2	3	4	5	6	7	8
Height (IN.)	8.36	9.36	11.36	11.36	13.36	13.36	15.36	15.36
Width (IN.)	2.28	3.62	4.96	6.29	7.68	9.02	10.28	11.57
Diameter (IN.)	5	6	8	8	10	10	12	12
Spigot Length Without Damper (IN.)	4	4	4	4	4	4	4	4

Plenum Box products are manufactured by Khedr Trust Co.

Type (PB-S) – Slot Insulated Plenum Box



No. of Slots	1	2	3	4	5	6	7	8
Height (IN.)	8.36	9.36	11.36	11.36	13.36	13.36	15.36	15.36
Width (IN.)	2.28	3.62	4.96	6.29	7.68	9.02	10.28	11.57
Diameter (IN.)	5	6	8	8	10	10	12	12
Spigot Length Without Damper (IN.)	4	4	4	4	4	4	4	4

Plenum Box products are manufactured by Khedr Trust Co.

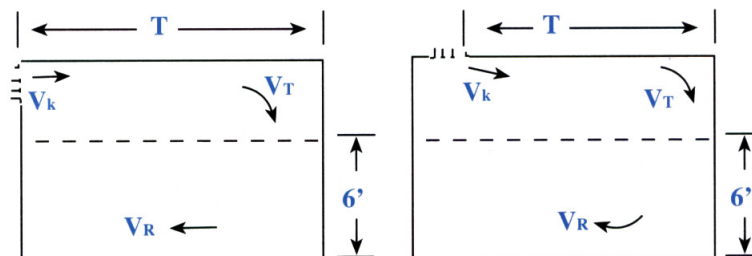
- Performance data

CFM per Feet in direction of T	No. of Slots	Static Pressure	Outlet Velocity (V_K)	Throw (T)		NC
				Ceiling	Side Wall	
10	1	0.01	335	4-6	2-4	20
20	1	0.04	670	8-11	6-9	20
	2	0.01	400	6-9	4-7	20
30	1	0.09	1000	10-14	8-12	25
	2	0.02	600	8-11	6-9	20
	3	0.01	430	7-9	5-7	20
40	1	0.16	1340	13-17	11-15	30
	2	0.04	800	10-14	8-12	25
	3	0.02	575	9-12	7-10	20
	4	0.01	445	8-11	20	24
50	2	0.06	1000	11-15	9-13	25
	3	0.03	715	10-14	8-12	20
	4	0.02	555	9-13	7-11	20
	5	0.01	415	7-12	6-10	20
60	2	0.09	1200	13-17	11-15	30
	3	0.04	860	12-16	10-14	25
	4	0.02	665	11-15	9-13	20
	5	0.01	500	9-13	7-11	20
70	2	0.013	1400	15-20	13-18	30
	3	0.06	1000	13-18	11-16	25
	4	0.03	775	12-16	10-14	20
	5	0.02	585	10-15	8-13	20
	6	0.01	500	9-14	7-12	20
80	3	0.09	1290	17-24	15-21	30
	4	0.05	1000	16-22	14-20	25
	5	0.03	665	13-17	11-15	20
	6	0.02	575	12-16	10-14	20
	7	0.01	500	11-15	9-13	20
90	3	0.09	1290	17-24	15-21	30
	4	0.05	1000	16-22	14-20	25
	5	0.03	750	15-20	13-18	20
	6	0.02	645	14-18	12-16	20
	7	0.01	560	13-17	11-15	20

Slot Linear Diffuser products are manufactured by Khedr Trust Co.

CFM per Feet in direction of T	No. of Slots	Static Pressure	Outlet Velocity (V_k)	Throw (T)		NC
				Ceiling	Side Wall	
100	3	0.13	1430	19-26	17-23	35
	4	0.06	1110	18-25	16-22	30
	5	0.04	830	16-23	14-20	25
	6	0.03	715	14-20	12-18	20
	7	0.02	630	13-19	11-17	20
120	4	0.09	1330	19-27	17-24	30
	5	0.06	1000	18-26	16-23	25
	6	0.04	860	17-25	15-22	20
	7	0.03	750	16-23	14-20	20
	8	0.02	630	15-20	13-18	20
140	5	0.08	1170	20-30	18-27	30
	6	0.06	1000	19-28	17-25	25
	7	0.04	875	18-26	16-23	25
	8	0.03	740	16-24	14-21	20
160	6	0.07	1150	21-32	19-29	25
	7	0.05	1000	20-30	18-27	25
	8	0.04	840	18-27	16-24	20
180	6	0.09	1290	24-35	21-31	30
	7	0.07	1130	23-34	20-30	30
	8	0.06	950	20-31	18-28	25
200	6	0.11	1440	26-40	23-36	30
	7	0.08	1250	25-38	22-34	30
	8	0.06	1110	24-36	21-32	25
250	8	0.10	1315	26-46	23-41	35

Slot Linear Diffuser products are manufactured by Khedr Trust Co.



- The minimum T Dimensions in feet is based on a V_T of 150 FPM with a V_R of 50 FPM , The Maximum T Dimension In feet is based on a V_T of 100 with a V_R of 35 FPM .

- VT Terminal Velocity "FPM" T Throw "Feet"
 - VK Outlet Velocity "FPM" PS Static Pressure "Inch Water"
 - VR Room Velocity "FPM" NC re 8db room
- CFM Cubic feet per Minute

- Selection Procedure

1. Determine the required CFM per each outlet as per cooling Load Calculation.
2. Determine the recommended Outlet Velocity VK according to application as per following Table.
3. Select no. of slots and the length of air outlet that give the required CFM at recommended outlet velocity from performance data tables.

Application	Outlet Velocity VK (FPM)
Broadcast Studios	300 - 500
Residences	500 - 750
Apartments	500 - 750
Mosques , Churches	500 - 750
Hotel Bedrooms	500 - 750
Theaters	500 - 750
Private Offices, Acoustically Treated	500 - 750
Private Offices, not Treated	500 - 800
General Offices	1000 - 1250
Dept. Stores	1500

Slot Linear Diffuser products are manufactured by Khedr Trust Co.

Table (1) – Recommended Outlet Velocity *

* Table 20 – Carrier Handbook – Part 2. Air Distribution – Chapter 3. Room Air Distribution – p.72

- PSelection Procedure Example

1. Required 300 CFM as per cooling load calculations.
2. The recommended outlet velocity ranges from 500 – 750 FPM as per pervious table.
3. Determine the length as per required CFM.
(Example : 40 cfm/feet x 8 feet outlet length,
50 cfm/feet x 6 feet outlet length, etc ..)
4. Determine the No. of slots as per recommended outlet velocity.
5. You can select 3-Slot 8 Feet length outlet with VK = 575 FPM,
or 4-Slot 6 Feet length outlet with VK = 555 FPM

CFM per Feet in direction of T	No. of Slots	Static Pressure	Outlet Velocity (V _K)	Throw (T)		NC
				Ceiling	Side Wall	
40	1	0.16	1340	13-17	11-15	30
	2	0.04	800	10-14	8-12	25
	3	0.02	575	9-12	7-10	20
	4	0.01	445	8-11	20	24
50	2	0.06	1000	11-15	9-13	25
	3	0.03	715	10-14	8-12	20
	4	0.02	555	9-13	7-11	20

Slot Linear Diffuser products are manufactured by Khedr Trust Co.

- How to order

Type	SLD	Slot Linear Diffuser
Plenum Box	PB	PB Plenum Box 0 No Plenum Box
No. of slots	4	1, 2, 3, 4
Length	8	4, 6, 8
Usage	S	S Supply With Deflectors R Return Without Deflectors
Location	E	0 One Piece With Endcap on Both Sides. E End Piece, with One Endcap "ER: Right , EL: Left". I Intermediate Piece, Without Endcap. C Corner Section
Finish	1	0 Aluminum 1 White Color 2 Other Colors
Damper	0	0 Without Damper 1 With Damper in Inlet collar

Slot Linear Diffuser products are manufactured by Khedr Trust Co.

Other Products are provided by Khedr Trust Co.

Diffusers & Grills

Slot Linear Diffuser
Eye Ball Diffuser
Circular Ceiling Diffuser
Swirl Diffuser
Perforated Ceiling Diffuser
Jet Diffuser
Square Ceiling Diffuser
Disc Valve Diffuser
Linear Bar Grill
Supply / Return Grill
Door Grill

Louvers

Aluminum Louver
Sand Trap Louver

Dampers

Volume Damper
Fire Damper
Smoke Motorized Damper
Shutter Damper
Pressure Relief Damper

Special Parts

Sound Attenuator
Plenum Box

Duct Works

Galvanized Steel Duct
Black Steel Duct
Stainless Steel Duct
Spiral Duct
Flexible Duct
Canvas
Flanges
Flexible Duct Connector



Khedr Trust

ALL AIR PRODUCTS



Alqanater Alkhairia roads.Industrial Area. Behind Cocacola Co.. Cairo, Egypt

Mailing Address : P.O.Box 13621. Cairo 11511 - Egypt

Tel : +202 42452022

Mob : +2010 29999054 / +2010 29999056

+2010 29999057 / +2010 29999058

E-Mail : info@khedr-eg.com

 / khedr.co

www.khedr-eg.com

